

Pico BoB Kit

1 DESCRIPTION

The *Pico BoB Kit* is an unassembled kit designed to interface with the Raspberry Pi Pico-series family of microcontroller boards. *BoB* stands for “Breakout Board”, which is exactly what this product does.

All of the pins of the Pico are made available using the *Pico BoB*. The Pico can be inserted into two central rails of female headers. The breakouts on both sides include a footprint for a row of female header, a row of male header, and a row of screw terminals.

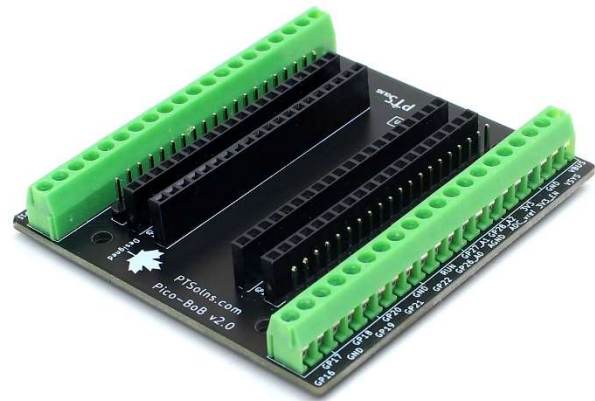


Table of Contents

1	DESCRIPTION	1
2	DOCUMENT REVISION HISTORY	2
3	PRODUCT FEATURES	3
3.1	COMPATIBILITY	3
3.2	FEATURES OF THE PICO BOB.....	3
3.3	MARK OF AUTHENTICITY.....	4
4	PHYSICAL PROPERTIES	5
5	ELECTRICAL PROPERTIES	6
6	KIT PACKAGE CONTENTS	7

2 DOCUMENT REVISION HISTORY

Current document revision is Rev 0.

3 PRODUCT FEATURES

This section highlights notable features of the *Pico BoB* Kit.

3.1 Compatibility

The *Pico BoB*, as shown in Figure 1, is compatible with the entire Raspberry Pi Pico-series family of microcontroller boards. This includes the Pico, Pico W, Pico H, and Pico WH, as well as the Pico 2.

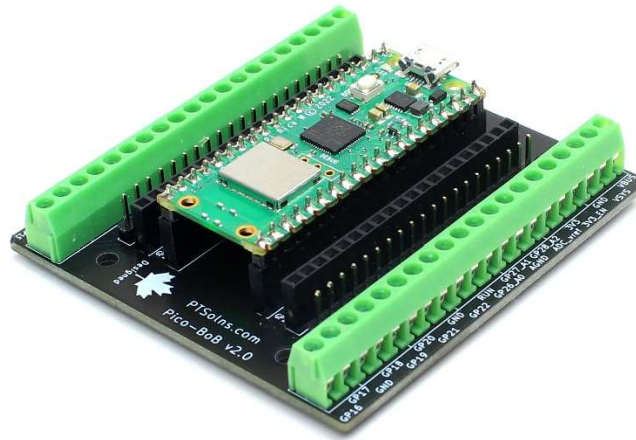


Figure 1: Example application.

3.2 Features of the Pico BoB

The features of the *Pico BoB* are graphically shown in Figure 2. All the pins are broken out on either side with a footprint for a row of male header pins, a row of female header pins, as well as a row of screw terminals. Additionally, there are two pinouts available for the ground planes (top and bottom combined) of the board. There are four mounting holes.

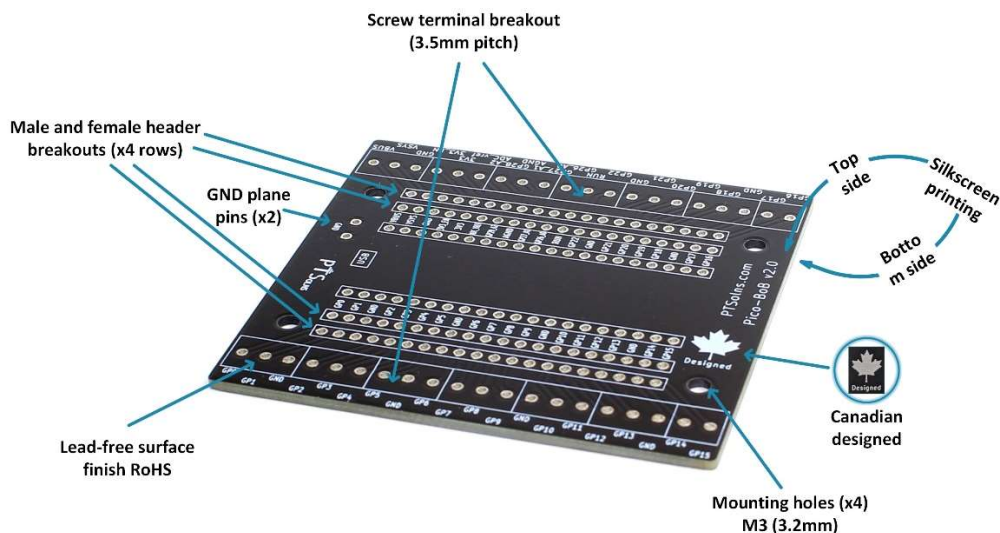


Figure 2: Features of the Pico BoB.

3.3 Mark of Authenticity

Authentic PTSolns PCBs have a black solder mask color and are marked with the “PTSolns” logo in white silkscreen printing. The “Canadian Designed” symbol, consisting of the Canadian Maple Leaf with the word “Designed” underneath, can also be found on the PCB in white silkscreen printing. The “PTSolns” trademark and the “Canadian Designed” symbols are shown in Figure 3 and **Error! Reference source not found.**, respectively.

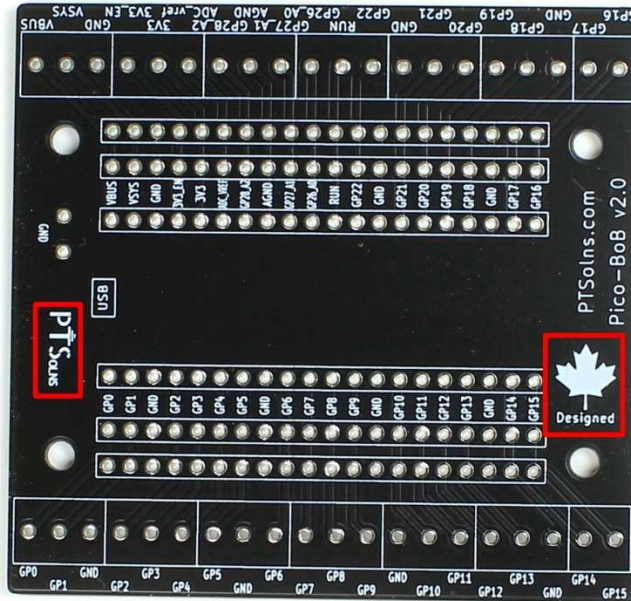


Figure 3: The “Canadian Designed” symbol and the “PTSolns” trademark found on authentic PTSolns PCBs.

4 PHYSICAL PROPERTIES

The physical properties of the *Pico BoB* are outlined in Table 1.

Table 1: Physical Properties.

	Quantity	Value	Reference
PCB	Length	71.4 mm	Figure 4
	Width	67.6 mm	Figure 4
	Thickness	1.6 mm	Figure 4
	Corner radius	1.0 mm	Figure 4
	Weight (with headers/screw terminals)	Approx. 44g	--
	Color	Black	--
	Silkscreen	White	--
Mounting	Mounting hole diameter	3.2 mm	Figure 4
	Mounting hole center-to-center distance along length	59.5 mm	Figure 4
	Mounting hole center-to-center distance along width	36.0 mm	Figure 4
Material	Lead free HASL-RoHS surface finish	--	--
	FR-4 base	--	--

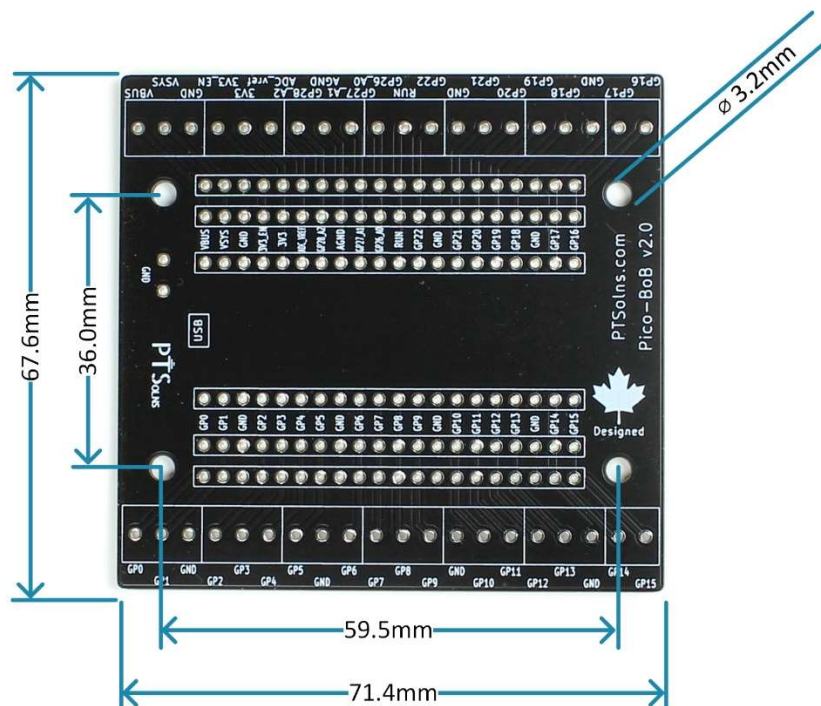


Figure 4: Dimensions of the Pico BoB.

5 ELECTRICAL PROPERTIES

Electrical properties are outlined in Table 2. All traces are 0.5mm thick and have a weight of 1 oz/ft².

Table 2: Electrical ratings for the *Nano Flip*.

Quantity	Value
Current rating	1.0A

6 KIT PACKAGE CONTENTS

The following items are included in the *Pico BoB Kit*. **This kit comes unassembled.**

This kit includes:

- 1pc PCB PTSolns *Pico BoB*
- 12pcs 3.5mm 3-pin screw terminals
- 2pc 3.5mm 2-pin screw terminal
- 4pcs 2.54mm/0.1in, 1x20 pin female header
- 1pc 2.54mm/0.1in, 1x40 pin male header
 - User can easily break the full male header pins into two sections of 20 pins.